

DRGEM Corporation: Overseas Sales Team

# JADE

Portable X-Ray

# JADE

✓ Standard Medical

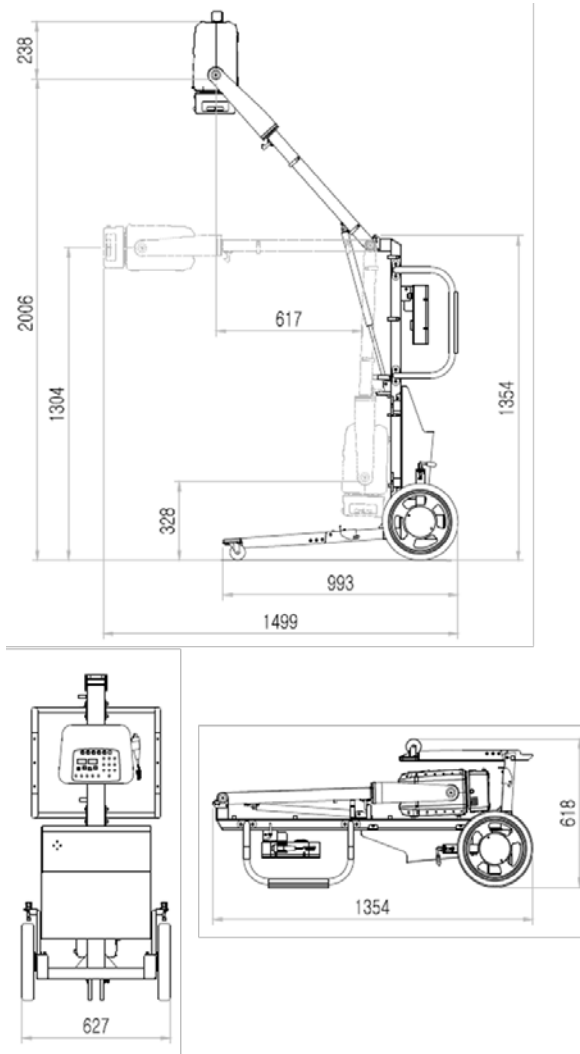


✓ Veterinary

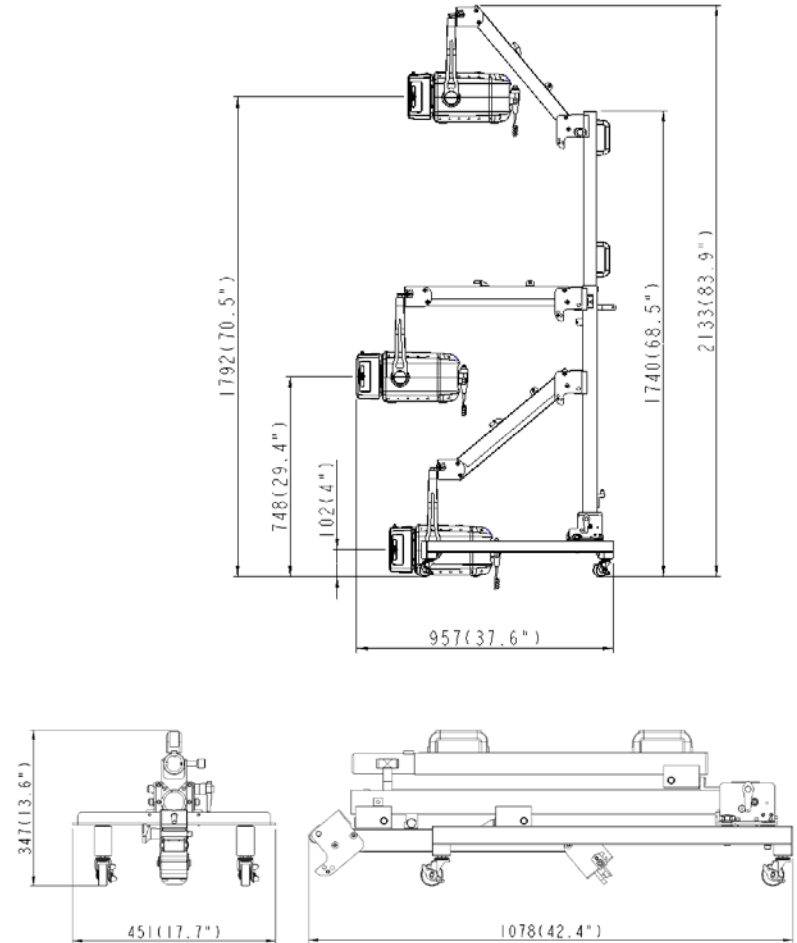


# 1 Dimensions

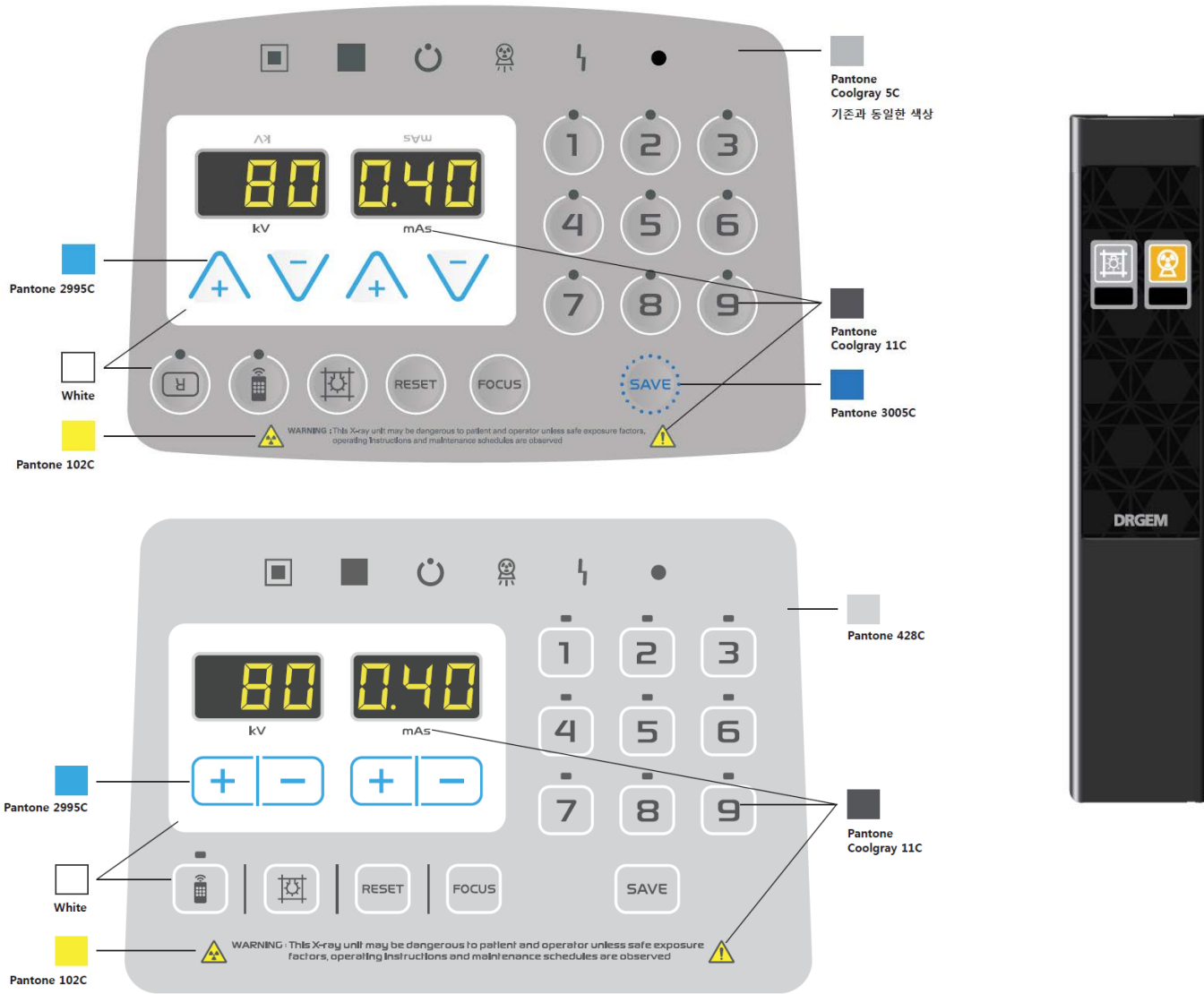
## ✓ Standard Medical



## ✓ Veterinary



# 1 Control Console & Remote



# Specifications

✓ X-ray unit

Model	JADE-40
Input Power	110 – 240V~ (Free voltage input), 50/60Hz
Output Rating	Max. 4 kW (50mA@80kV, 40mA@100kV, 32mA@120kV)
Type	Microprocessor controlled High Frequency inverter
KV Range	40 ~ 120 KV, 81Step(1KV Step)
mA Range	10 ~ 100 mA, 11 Step (10, 12.5, 16, 20, 25, 32, 40, 50, 64, 80, 100mA)
Exposure Time	0.01 ~ 10 seconds, 21 Step (in 25% Steps)
mAs Range	0.1 ~ 250 mAs, 35 Step(in 25% Steps)
X-ray Tube Type	Stationary Anode
Focal Spot Size (Small / Large)	0.5 / 1.5 mm
Anode Heat Storage Capacity	56,000HU(40,000 J)
Power Cord Length	5 m
Exposure Hand-switch Cord Length	5 m(Max. Length)
X-ray switching frequency	100 kHz
Control	2 Point Control (kV, mAs)
Control Display	LED (7-seg display & indicators)
Anatomical Programs	Preprogrammed 9 APR data – User Programmable
External Interface	USB, Bluetooth(Optional), DR Interface(Optional)
Max. input Power Rating	24 A @ 240 V~, 34 A @ 110 V~
Weight	16 kg (35.3lb) (Including Collimator, Power Plug)

# Specifications

## ✓ Collimator

Model	KM1
Manufacturer	DRGEM
Control	Manual with 15, 30, 45, 60sec. lamp timer
Field Shape	Rectangular
Max. Field Size	44x44cm (at 100cm SID)
Leakage Radiation	Less than 40mR/hr.
Max. kVp shield	150kV
Inherent Filtration	2.0mmAl eq.
Luminosity	Over 160LUX at 100cm SID
Light source	LED
Standard	Rotating flange
Option	Tape measure(Max. 200cm)
Electrical Rating	12 – 45VDC, 20W
Dimension / Weight	172(W) x 172(D) x 97(H) mm / 2.5kg(5.5lb)

# Specifications

✓ Mobile Stand (Standard Medical)

Model		JMS-1
External Membrane Console	Control	2 Point Control (kV, mAs)
	Control Display	LED (7-seg display & indicators)
	Supported Function	APR 1~9 select & Save, Collimator Lamp, Focus selection, Infrared remote controller Enable
	Exposure Hand-switch Cord	5 m (Max. Length), without Mobile X-ray unit
Maximum Focus to Floor		2008mm
Minimum Focus to Floor		450mm
Maximum Dimension		614(w) x 984(D) x 2286(H) mm
Minimum Dimension		614(w) x 601(D) x 1338(H) mm
Weight		53.5kg(118lb) (Include Mobile X-ray Unit, Collimator)



# Specifications

## ✓ Portable Stand (Veterinary)

Model	JPS-1
Maximum Focus to Floor	1800mm
Minimum Focus to Floor	102mm
Maximum Dimension	1098(w) x 957(D) x 2133(H) mm
Minimum Dimension	451(w) x 1078(D) x 347(H) mm
Stand Weight	19kg (Portable Stand only)
Total Weight	35kg (Portable Stand + X-ray Unit)





Thank you!